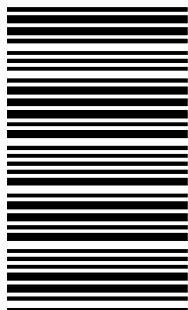


کد کنترل

454

C



454C

آزمون ورودی دوره‌های کارشناسی ارشد ناپیوسته - سال ۱۴۰۴

عصر پنج‌شنبه

۱۴۰۳/۱۲/۰۲



جمهوری اسلامی ایران
وزارت علوم، تحقیقات و فناوری
سازمان سنجش آموزش کشور

«علم و تحقیق، کلید پیشرفت کشور است.»
مقام معظم رهبری

مهندسی ایمنی، بهداشت و محیط زیست (HSE) (کد ۱۲۹۳) - شناور

مدت زمان پاسخگویی: ۱۸۰ دقیقه

تعداد سؤال: ۱۱۵ سؤال

عنوان مواد امتحانی، تعداد و شماره سؤال‌ها

ردیف	مواد امتحانی	تعداد سؤال	از شماره	تا شماره
۱	زبان عمومی و تخصصی (انگلیسی)	۲۵	۱	۲۵
۲	ریاضی ۱	۱۵	۲۶	۴۰
۳	آمار و احتمالات مهندسی	۱۵	۴۱	۵۵
۴	استاتیک	۲۰	۵۶	۷۵
۵	مهندسی آب و فاضلاب	۲۰	۷۶	۹۵
۶	مهندسی محیط زیست	۲۰	۹۶	۱۱۵

استفاده از ماشین حساب مجاز نیست.

این آزمون نمره منفی دارد.

حق چاپ، تکثیر و انتشار سؤالات به هر روش (الکترونیکی و...) پس از برگزاری آزمون، برای تمامی اشخاص حقیقی و حقوقی تنها با مجوز این سازمان مجاز می‌باشد و با متخلفین برابر مقررات رفتار می‌شود.

* داوطلب گرامی، عدم درج مشخصات و امضا در مندرجات کادر زیر، به منزله عدم حضور شما در جلسه آزمون است.

اینجانب با شماره داوطلبی با آگاهی کامل، یکسان بودن شماره صندلی خود با شماره داوطلبی مندرج در بالای کارت ورود به جلسه، بالای پاسخ نامه و دفترچه سؤالات، نوع و کد کنترل درج شده بر روی جلد دفترچه سؤالات و پایین پاسخ نامه ام را تأیید می نمایم.

امضا:

زبان عمومی و تخصصی (انگلیسی):

PART A: Vocabulary

Directions: Choose the word or phrase (1), (2), (3), or (4) that best completes each sentence. Then mark the answer on your answer sheet.

- 1- I have to say, I'm not particularly in my own understanding of the true nature of fear, even though I make my living drawing horror manga.
1) mutual 2) confident 3) possible 4) available
- 2- We must stop seeing nuclear as a dangerous problem and instead recognize it as a safe byproduct of carbon-free power.
1) missile 2) arsenal 3) conflict 4) waste
- 3- My father has always been with his money. I didn't have to pay for college or even for the confused year I spent at Princeton taking graduate courses in sociology.
1) generous 2) associated 3) content 4) confronted
- 4- Even though a cease-fire, in place since Friday, has brought temporary from the bombardment, the threat the strikes will return leaves people displaced yet again.
1) relief 2) suspense 3) rupture 4) resolution
- 5- What you'll hear, often, is that you should your dream; follow your passion; quit your job and live the life you want.
1) undermine 2) partake 3) pursue 4) jeopardize
- 6- Nationwide, poor children and adolescents are participating far less in sports and fitness activities than their more peers.
1) astute 2) otiose 3) impecunious 4) affluent
- 7- It is said that "the EI" did not meet the historic criteria for being registered, as it the view from the street of other historic buildings and because the structure generally downgraded the quality of life in the city.
1) gentrified 2) revamped 3) impeded 4) galvanized

PART B: Cloze Test

Directions: Read the following passage and decide which choice (1), (2), (3), or (4) best fits each space. Then mark the correct choice on your answer sheet.

The first step in the process of becoming an Olympic sport is(8) a sport from the International Olympic Committee (IOC). The IOC requires that the activity have administration by an international nongovernmental organization that oversees at least one

sport.(9), it then moves to International Sports Federation (IF) status. At that point, the international organization administering the sport must enforce the World Anti-Doping Code, including conducting effective out-of-competition tests on the sport's competitors while maintaining rules(10) forth by the Olympic Charter.

- 8- 1) to be a recognition as 2) recognition as
3) recognizing of 4) recognizing
- 9- 1) For a sport be recognized 2) Once a sport is recognized
3) A sport be recognized 4) A recognized sports
- 10- 1) set 2) sets 3) that set 4) which to be set

PART C: Reading Comprehension

Directions: Read the following three passages and answer the questions by choosing the best choice (1), (2), (3), or (4). Then mark the correct choice on your answer sheet.

PASSAGE 1:

Construction projects have been associated with a high risk of injury and fatal accidents from ancient times. The construction industry is seen worldwide as one of the most dangerous industries to work within because of the high rate of fatal injuries and accidents. Safety work on the construction site is challenging, in particular due to the complexity of the site and the activities involved. Another reason for its complexity is the use of a multidisciplinary workforce and the challenge of managing the interfaces between the disciplines.

The need for improvement regarding safety is identified by both the industry and the academia. A prominent concept emphasized in the health, safety and environmental (HSE) literature is “the zero accident vision (ZAV)”. The vision is based on an assumption that all serious accidents are preventable. Approximately, the construction industry employs 7% of the workforce worldwide, but is responsible for 30-40% of all fatal injuries. This means that—despite the positive trends over the last period—there is still significant work to do regarding the safety on construction sites, especially for the industry to be anywhere close to achieving the zero accident vision.

- 11- The underlined word “disciplines” in paragraph 1 is closest in meaning to
1) shifts 2) advices 3) fields 4) demands
- 12- The underlined phrase “the industry” in paragraph 2 refers to
1) accident 2) safety 3) zero accident 4) construction
- 13- All of the following words are mentioned in the passage EXCEPT
1) pace 2) rate 3) assumption 4) trends
- 14- According to paragraph 2, the underlying assumption of the zero accident vision is that
1) it is possible to enhance all serious accidents
2) it is possible to avoid all severe accidents
3) every accident in construction is avoidable
4) every serious accident could be fatal

- 15- According to the passage, which of the following statements is true?
- 1) Construction is a high-risk industry in spite of the simplicity of its activities.
 - 2) Injuries and deadly accidents in the construction industry are modern problems.
 - 3) Safety in construction industry has witnessed some improvements in the past.
 - 4) The number of workers in construction justifies its high rate of fatal accidents.

PASSAGE 2:

Environmental bioprocesses consist of complex interactions between physical, chemical and biological processes. The most important of these can be expressed in engineering terms using the scientific and engineering techniques of mass and energy balances, microbial and population kinetics, thermodynamics, transport processes, and chemical and biochemical reactions. The engineer plays an important role in design processes that help to improve the environment, such as: better waste-water treatment plants, air filters, the production of biodegradable or reusable products and diminishing the environmental impact of new products. Solid and liquid wastes are produced by every community. Waste-water is a combination of liquid or water-carried wastes arising from domestic and industrial use together with ground water, surface water and rain water.

The treatment of waste-water can be performed so that changes are brought about by means of biochemical reactions produced as a result of the presence of microorganisms. Those processes are known as biological unit processes and their purposes are to coagulate and remove the non-settleable colloidal solids and to transform the hazardous organic matters as well as to stabilize them. Considering the importance of a proper analysis and environmental control, the principal role of the environmental engineer is—among others—to understand the characteristics of the biological processes involved in waste-water treatment. Waste-water engineering includes the conception, planning, evaluation, design, construction, operation and maintenance of the systems that are needed to meet waste-water management objectives.

- 16- According to paragraph 1, engineers play a significant role in all of the following EXCEPT
- 1) activities resulting in the reduction of air pollution
 - 2) lessening the environmental impacts of new products
 - 3) production of materials that are capable of being recycled
 - 4) developing policies aimed at protection of the environment
- 17- The underlined word “coagulate” in paragraph 2 is closest in meaning to
- 1) liquify
 - 2) clot
 - 3) identify
 - 4) conceal
- 18- According to paragraph 2, are among the objectives of biological unit processes.
- 1) removal of non-settleable colloidal solids and transformation and stabilization of perilous organic matters
 - 2) conception, planning, evaluation, design, construction, operation and maintenance of various systems
 - 3) considering the importance of a proper analysis and environmental control and raising awareness about them
 - 4) bringing about biomechanical reactions which result in production and presentation of microorganisms

- 19- According to the passage, which of the following statements is NOT true?
- 1) Industrial and residential activities are among the elements which contribute to the production of waste-water.
 - 2) Complicated interactions between physical, chemical and biological processes are the constituting elements of environmental bioprocesses.
 - 3) The role engineers play in design processes that aid the improvement of the environment is by no means negligible.
 - 4) Understanding the characteristics of the biological processes involved in waste-water treatment is the only role of environmental engineers.
- 20- The passage provides sufficient information to answer which of the following questions?
- I. When did waste-water management become an independent field?
 II. What is a definition for waste-water?
 III. Which industries are mainly responsible for waste-water production?
- 1) Only III
 - 2) Only II
 - 3) II and III
 - 4) I and II

PASSAGE 3:

Discussions of risk-informed performance-based codes and standards for fire safety design have been in progress for more than a decade. Risk or probability-based regulations are not an entirely new concept. In the 1960s, Cornell proposed a framework for a probability-based structure code to improve consistency in the code treatment of uncertainty. [1] This concept has already been adopted in some building codes and standards for structural design. In contrast, the incorporation of probabilistic concepts in fire regulations has been very slow, although the idea of basing the criteria for structural fire resistance design on failure probability has been suggested for nearly 30 years. Some of the impediments to this incorporation, as highlighted by Cornell more than four decades ago in regard to structure codes, still exist in the fire engineering and regulatory communities. One impediment is the belief that the probability analysis calculations do not promise the benefit of simplicity. This belief is not without any grounds, for many professionals take the traditional engineering approach and regard probability analysis as uncharted territory. [2]

It has long been recognized that design parameters are associated with uncertainties due to the complex nature of reality. As a consequence, these parameters become random variables. [3] A Level 1 approach is based on the use of one characteristic value for each uncertain, or random, parameter. A Level 2 approach involves the description of the random parameters by a mean and a standard deviation, and Level 3 requires full descriptions of probability distributions for all random parameters involved in the design. A Level 1 approach is adopted when there is insufficient knowledge of the behavior of the design parameters. [4]

- 21- Which of the following techniques is used in paragraph 1?
- 1) Irony
 - 2) Rhetorical question
 - 3) Appeal to authority
 - 4) Statistics
- 22- According to paragraph 1, one retarding element for assimilation of probabilistic concepts in fire regulations is
- 1) the conviction that probability analysis calculations are too complicated in comparison with the conventional engineering approach
 - 2) the fact that risk or probability-based regulations for fire safety design are entirely new concepts recently proposed by scholars
 - 3) that the idea of basing the criteria for structural fire resistance design on failure probability has been suggested for nearly 30 years
 - 4) that the concept has already been adopted in some building codes and standards for structural design

- 23- According to the passage, design parameters
- 1) are recognized to be based on the use of one characteristic value for each uncertain, or random, parameter
 - 2) are connected to uncertainties because of the intricate nature of reality and are therefore considered random variables
 - 3) were proposed by Cornell as a framework for a probability-based structure code to improve consistency
 - 4) require more or less full descriptions of probability distributions for every random parameter involved in the design
- 24- Which of the following best describes the writer's overall tone in the passage?
- 1) Impartial
 - 2) Humorous
 - 3) Passionate
 - 4) Biased
- 25- In which position marked by [1], [2], [3] and [4], can the following sentence best be inserted in the passage?
- To deal with such uncertainties, engineering design analyses can be carried out on three levels, as suggested by Frantzich et al.
- 1) [1]
 - 2) [2]
 - 3) [3]
 - 4) [4]

ریاضی ۱:

۲۶- کدام مورد، در خصوص تابع زیر درست است؟

$$f(x) = \begin{cases} \frac{|\alpha x - \pi|}{x - \frac{\pi}{\alpha}} \sin x & x \neq \frac{\pi}{\alpha} \\ \alpha & x = \frac{\pi}{\alpha} \end{cases}$$

- (۱) به ازای $\alpha = 2$ در \mathbb{R} پیوسته است.
- (۲) به ازای هر مقدار α در \mathbb{R} پیوسته است.
- (۳) به ازای $\alpha = -2$ در \mathbb{R} پیوسته است.
- (۴) به ازای هر مقدار α در $\frac{\pi}{2}$ ناپیوسته است.

۲۷- اگر خط $3x^2 + 2y + 4x = 0$ بر منحنی $-2x + 10y + 37 = 0$ عمود باشد، آنگاه خط مماس بر منحنی مذکور در چه نقطه‌ای محور xها را قطع می‌کند؟

- (۱) $\frac{3}{2}$
- (۲) $-\frac{3}{2}$
- (۳) $\frac{13}{6}$
- (۴) $-\frac{16}{3}$

۲۸- اگر $f(x) = \left(\left| \frac{\cos x}{2} \right|^{\tan x} \right)$ باشد، حاصل $f'(0)$ کدام است؟

- (۱) صفر
(۲) $\ln 2$
(۳) $-\ln 2$
(۴) تعریف نشده است.

۲۹- اگر $x^y = y^x$ باشد، آنگاه $y' = \frac{dy}{dx}$ کدام است؟

$$(1) \quad y' = \frac{y(x \ln y - x)}{x(y \ln x - y)}$$

$$(2) \quad y' = \frac{y(x \ln y - y)}{x(y \ln x - x)}$$

$$(3) \quad y' = \frac{x \ln y - y}{y \ln x - x}$$

$$(4) \quad y' = \frac{x \ln y - x}{y \ln x - y}$$

۳۰- فرض کنیم F تابعی حقیقی و پیوسته است و $A = \int_0^{\Delta} \ln \frac{F(\Delta - x)}{F(x)}$ ، در این صورت مقدار A کدام است؟

(۱) ۱

(۲) $\frac{1}{\ln \Delta}$

(۳) $\ln \Delta$

(۴) صفر

۳۱- حاصل انتگرال $\int_0^1 \frac{\sqrt{t} dt}{t^3 + 5\sqrt{t} + 4}$ کدام است؟

(۱) $\frac{1}{2} \ln\left(\frac{8}{5}\right)$

(۲) $\frac{2}{9} \ln\left(\frac{8}{5}\right)$

(۳) $\frac{1}{2} \ln\left(\frac{5}{8}\right)$

(۴) $\frac{2}{9} \ln\left(\frac{5}{8}\right)$

۳۲- طول قوس منحنی $y = \int_0^x \sqrt{t^4 + t^2 - 1} dt$ از $x = a$ تا $x = b$ کدام است؟

$$(1) \quad L = \int_a^b 2|x|\sqrt{1+x^2} dx$$

$$(2) \quad L = \int_a^b 4|x|\sqrt{1+x^2} dx$$

$$(3) \quad L = \int_a^b |x|\sqrt{1+x^2} dx$$

$$(4) \quad L = \int_a^b 8|x|\sqrt{1+x^2} dx$$

۳۳- فرض کنید f تابعی حقیقی، مشتق پذیر و غیرصفر است که در رابطه $f'(x) = 2 \int_1^x \frac{f(t)}{\sqrt{1+t^2}} dt$ صدق می کند،

ضابطه $f(x)$ کدام است؟

$$f(x) = \int \frac{dx}{\sqrt{1+x^2}} \quad (1)$$

$$f(x) = 2 \int \frac{dx}{\sqrt{1+x^2}} \quad (2)$$

$$f(x) = \int \sqrt{1+x^2} \quad (3)$$

$$f(x) = 2 \int \sqrt{1+x^2} dx \quad (4)$$

۳۴- مقدار $\int_{-1}^4 \frac{dx}{\sqrt{|x|}}$ کدام است؟

$$3 \quad (1)$$

$$6 \quad (2)$$

$$\frac{1}{6} \quad (3)$$

$$\frac{1}{3} \quad (4)$$

۳۵- می دانیم تابع Γ (گاما) در رابطه $\Gamma(\alpha+1) = \alpha\Gamma(\alpha)$ صدق می کند. اگر x و y دو عدد حقیقی باشند و

$$\frac{\Gamma(y+2)}{\Gamma(y+1)+\Gamma(x+1)} = y$$

آنگاه کدام مورد درست است؟

$$y-x=1 \quad (1)$$

$$y+x=1 \quad (2)$$

$$y-x=2 \quad (3)$$

$$y+x=2 \quad (4)$$

۳۶- در رابطه با سری $\sum_{n=1}^{\infty} (-1)^n \frac{5^{n+1}}{n^n}$ کدام مورد درست است؟

(۲) سری همگرای مطلق است.

(۱) سری واگرا است.

(۴) مقدار سری $\frac{1}{\ln 5}$ است.

(۳) مقدار سری $\ln 5$ است.

۳۷- حاصل عددی سری $\sum_{n=0}^{\infty} \frac{n! - 2n(n!)}{n!(n+1)!}$ کدام است؟

$$e \quad (1)$$

$$e+2 \quad (2)$$

$$e-1 \quad (3)$$

$$e-3 \quad (4)$$

۳۸- طول بازه همگرایی سری $\sum_{n=0}^{\infty} \frac{(2n-1)!}{((n+1)!)^2} x^{2n}$ کدام است؟

- (۱) صفر
(۲) ∞
(۳) $\frac{1}{2}$
(۴) $\frac{1}{4}$

۳۹- معادله قطبی $r = 3 \sec(\theta - \frac{\pi}{3})$ در دستگاه دکارتی کدام است؟

(۱) $\sqrt{3}x + y = 6$

(۲) $x - \sqrt{3}y = 6$

(۳) $\sqrt{3}x - y = 6$

(۴) $x + \sqrt{3}y = 6$

۴۰- مقدار x و y در معادله $1 + i = \frac{(1+i)^2}{(1-i)^2} + \frac{1}{x+iy}$ ، به ترتیب چقدر است؟ (i عدد موهومی است.)

(۱) $\frac{1}{5}$ و $\frac{2}{5}$

(۲) $-\frac{1}{5}$ و $-\frac{2}{5}$

(۳) $\frac{1}{5}$ و $\frac{2}{5}$

(۴) $\frac{1}{5}$ و $-\frac{2}{5}$

آمار و احتمالات مهندسی:

۴۱- میانۀ داده‌های ۱۰، ۷، ۹، ۵، ۳ و ۴ کدام است؟

(۱) ۵

(۲) ۶

(۳) ۷

(۴) ۸

۴۲- چند کُد ۳ حرفی از ۲۶ حرف انگلیسی می‌توان ساخت که حروف تکراری نداشته باشد؟

(۱) $\frac{26}{3}$

(۲) $(26)^3$

(۳) $\frac{(26)^3}{3}$

(۴) $26 \times 25 \times 24$

۴۳- یک کلاس شامل ۲ فارغ التحصیل و ۶ دانشجوی لیسانس، به طور تصادفی به ۲ گروه ۴ نفره تقسیم می شوند. احتمالی که هر گروه، یک دانش آموز فارغ التحصیل داشته باشد، کدام است؟

$$\frac{6}{7} \quad (1)$$

$$\frac{5}{7} \quad (2)$$

$$\frac{4}{7} \quad (3)$$

$$\frac{1}{7} \quad (4)$$

۴۴- ظرفی شامل ۴ توپ قرمز و ۴ توپ سیاه است. بازیکنان A و B، یکی پس از دیگری توپها را از ظرفها خارج می کنند تا یک توپ قرمز انتخاب شود. برنده کسی است که اولین توپ قرمز را انتخاب کند (توپهای انتخاب شده به ظرف برگردانده نمی شوند). اگر بازیکن A بازی را شروع کند، احتمال پیروزی او کدام است؟

$$\frac{22}{35} \quad (1)$$

$$\frac{23}{35} \quad (2)$$

$$\frac{24}{35} \quad (3)$$

$$\frac{26}{35} \quad (4)$$

۴۵- دو تاس پرتاب شده است. اگر اولی ۳ بیاید، احتمال اینکه جمع این دو بیشتر از ۶ باشد، کدام است؟

$$\frac{1}{2} \quad (1)$$

$$\frac{1}{3} \quad (2)$$

$$\frac{1}{4} \quad (3)$$

$$\frac{1}{6} \quad (4)$$

۴۶- شخصی دو هدف متفاوت و مستقل را به ترتیب با احتمالهای $\frac{1}{4}$ و $\frac{1}{5}$ مورد هدف قرار می دهد. اگر این شخص هدف اول را نزده باشد، احتمال زدن هدف دوم چقدر است؟

$$\frac{1}{4} \quad (1)$$

$$\frac{1}{2} \quad (2)$$

$$\frac{1}{5} \quad (3)$$

$$\frac{1}{9} \quad (4)$$

۴۷- متغیر تصادفی X با میانگین ۱۰ و واریانس ۱۶ که توزیع احتمال آن نامشخص است را در نظر بگیرید. $P(2 < X < 18)$ کدام است؟

$$(1) \text{ بزرگتر از } \frac{1}{75} \text{ است.}$$

$$(2) \text{ کوچکتر از } \frac{1}{75} \text{ است.}$$

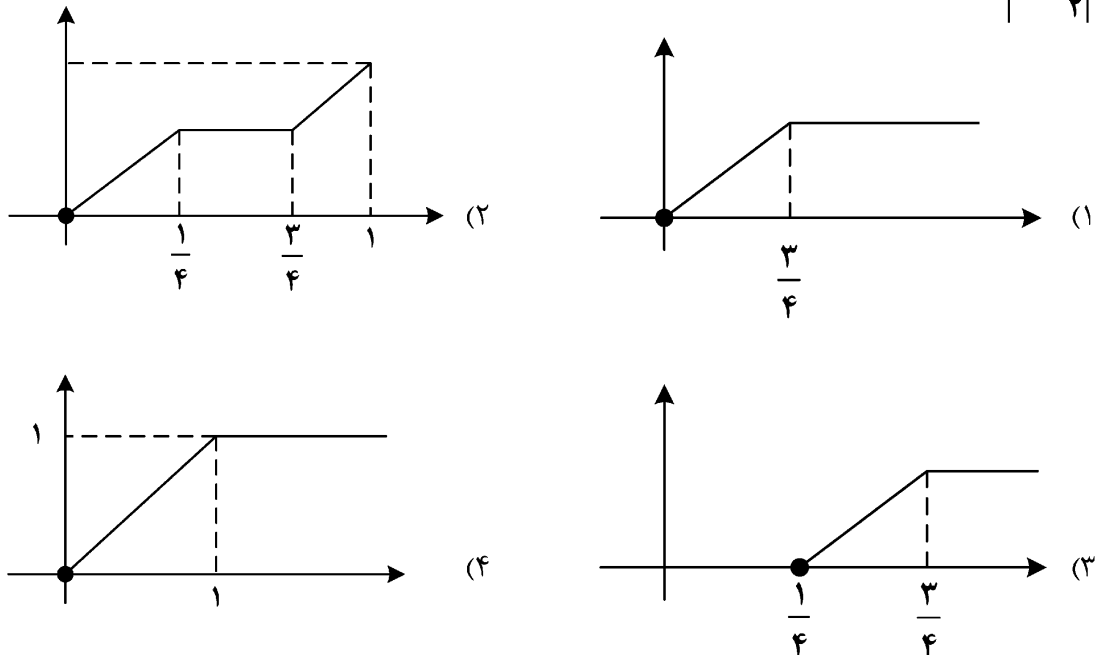
$$(3) \text{ برابر } \frac{1}{68} \text{ است.}$$

$$(4) \text{ برابر } \frac{1}{95} \text{ است.}$$

۴۸- فرض کنید متغیر تصادفی U دارای توزیع یکنواخت در بازه $(0, 1)$ باشد. کدام نمودار، تابع توزیع تجمعی

$$X = 2 \left| U - \frac{1}{2} \right|$$

را نشان می‌دهد؟



۴۹- اگر X توزیع نرمال با واریانس یک داشته باشد و بدانیم احتمال کمتر بودن X از ۵ مساوی 0.1 باشد، میانگین X کدام است؟ ($Z_{0.1} = -1.28$)

- (۱) ۵.۱۷
- (۲) ۶.۱۷
- (۳) ۶.۲۸
- (۴) ۸.۱۷

۵۰- مقدار تقاضا برای محصول A دارای تابع احتمال به صورت زیر است. متوسط تقاضای این محصول کدام است؟

X	۱	۲	۳
$P(X=x)$	۰.۳	۰.۴	۰.۳

- (۱) ۱.۸
- (۲) ۲
- (۳) ۳.۲
- (۴) ۱.۶

۵۱- فرض کنید تابع چگالی احتمال متغیر تصادفی X به صورت زیر باشد. واریانس X کدام است؟

$$f(x) = \begin{cases} \frac{1}{3} & 0 < x < 3 \\ 0 & \text{سایر جاها} \end{cases}$$

- (۱) $\frac{3}{4}$
- (۲) ۲
- (۳) ۱
- (۴) $\frac{1}{4}$

۵۲- از جمعیتی نرمال با میانگین نامعلوم μ طی دو مرحله نمونه‌های تصادفی گرفته می‌شود و میانگین نمونه‌ای محاسبه می‌شود. نتایج در جدول زیر خلاصه شده است. برآوردکننده میانگین جمعیت تقریباً کدام است؟

	n	\bar{x}
مرحله اول	۹	۱۰/۵
مرحله دوم	۱۶	۹/۷

(۱) ۱۰

(۲) ۱۵

(۳) ۸

(۴) ۱۱

۵۳- برای بررسی اثر نوعی داروی مسکن برای درد دندان، دارو بر روی ۹۰ بیمار آزمایش شده است که فقط اطلاعات مربوط به ۴۸ بیمار در اختیار تحلیل‌گر می‌باشد. متوسط نسبت تأثیر این دارو ۰/۷۵ برآورد شده است. دامنه اطمینان ۹۵٪ برای نسبت اثربخشی این دارو کدام است؟

(۱) (۰/۶۷۵ , ۰/۸۲۵)

(۲) (۰/۶۵۹ , ۰/۸۴۱)

(۳) (۰/۶۴۷ , ۰/۸۵۳)

(۴) (۰/۶۲۵ , ۰/۸۷۵)

۵۴- فرض کنید در ظرفی ۴ توپ وجود دارد که θ تای آنها آبی و بقیه قرمز هستند. برای آزمون فرض $H_0: \theta = 2$ در مقابل $H_1: \theta \neq 2$ دو توپ از این ظرف انتخاب می‌کنیم. اگر هر دو توپ از یک رنگ باشند، آنگاه H_0 را رد می‌کنیم. احتمال خطای نوع اول چقدر است؟

(۱) $\frac{1}{2}$ (۲) $\frac{1}{3}$ (۳) $\frac{1}{4}$ (۴) $\frac{1}{5}$

۵۵- برای برازش یک مدل خطی ساده به فرم $y = \alpha + \beta x + \varepsilon$ براساس یک نمونه تصادفی ۱۰ تایی اطلاعات زیر حاصل شده است. اگر برآورد شیب خط رگرسیونی برازش شده برابر با ۰/۱ باشد، مقدار برازش یافته y در نقطه $x = 5$ کدام است؟

x	۱	۲	۳	۴	۵	۶	۷	۸	۹	۱۰
y	۳	۴	۵	۴	۴	۳	۵	۵	۴	۳

(۱) ۳/۹۵

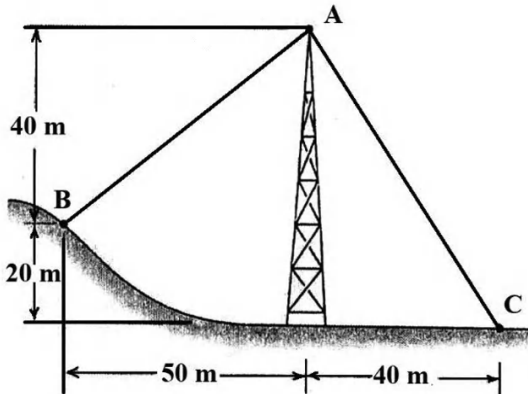
(۲) -۰/۵

(۳) -۳/۹۵

(۴) ۰/۵

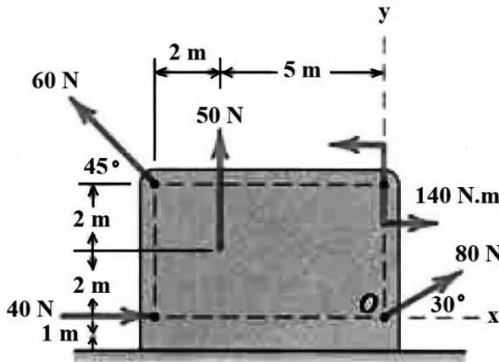
استاتیک:

۵۶- نیروی برابری وارد بر دکل در نقطه A از طرف کابل‌های AC و AB در راستای قائم به سمت پایین است. این نیرو چند برابر نیروی کشش کابل AC است؟



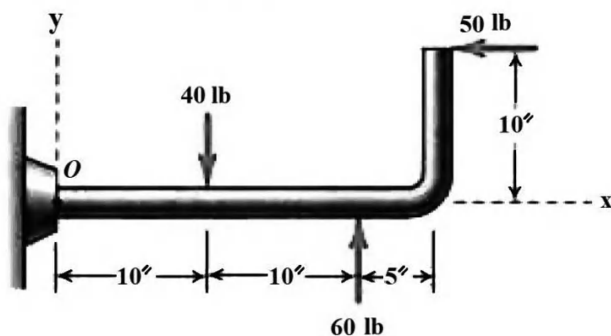
- (۱) $\frac{5\sqrt{13}}{2\sqrt{41}}$
- (۲) $\frac{5\sqrt{13}}{23}$
- (۳) $\frac{2\sqrt{41}}{5\sqrt{13}}$
- (۴) $\frac{23}{5\sqrt{13}}$

۵۷- برابری نیروها و کوپل در شکل زیر، $M_o = -237\hat{k}(N.m)$ و $R = 66/9\hat{i} + 132/4\hat{j}(N)$ است. معادله خط عمل نیروی برابری کدام است؟



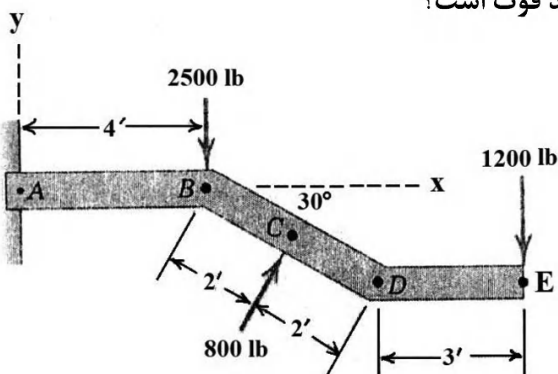
- (۱) $132/4x + 66/9y = -237$
- (۲) $132/4x - 66/9y = -237$
- (۳) $66/9x - 132/4y = 237$
- (۴) $66/9x + 132/4y = 237$

۵۸- خط اثر نیروی برابری سه نیروی نشان داده شده در شکل زیر محور y را در کدام عدد بر حسب اینچ قطع می‌کند؟



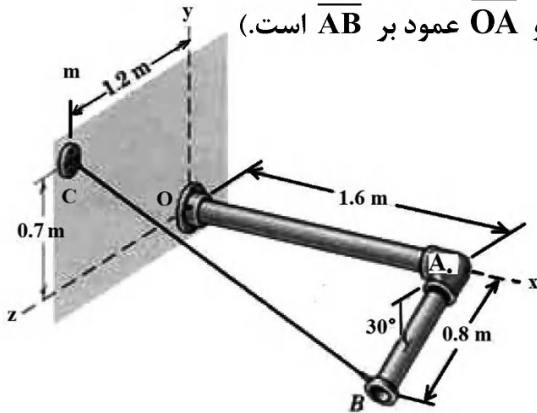
- (۱) ۲۶
- (۲) -۲۶
- (۳) ۶۵
- (۴) -۶۵

۵۹- گشتاور برابری سه نیروی نشان داده شده، در نقطه A چند پوند فوت است؟



- (۱) $-16800 - 2400\sqrt{3}$
- (۲) $-18400 - 800\sqrt{3}$
- (۳) $-16800 - 800\sqrt{3}$
- (۴) $-18400 - 2400\sqrt{3}$

۶۰- نیروی وارد بر لوله در نقطه B از طرف کابل که تحت کشش یک کیلونیوتن است بر حسب کیلونیوتن بر حسب بردارهای پایه مختصات کدام است؟ (طول کابل L بر حسب متر و \overline{OA} عمود بر \overline{AB} است.)



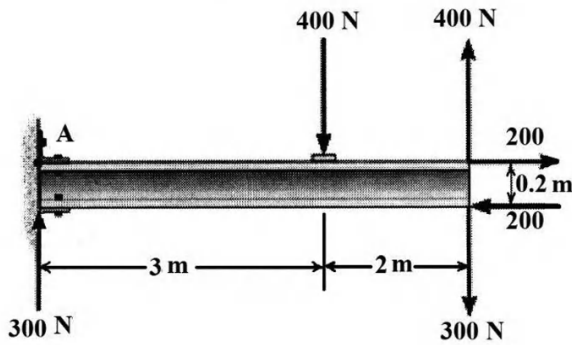
(۱) $\frac{1}{L}(1/6\hat{i} - 1/1\hat{j} - (1/2 - 0/4\sqrt{3})\hat{k})$

(۲) $\frac{1}{L}(-1/6\hat{i} + 1/1\hat{j} - (1/2 - 0/4\sqrt{3})\hat{k})$

(۳) $\frac{1}{L}(-1/6\hat{i} + 1/1\hat{j} + (1/2 - 0/4\sqrt{3})\hat{k})$

(۴) $\frac{1}{L}(1/6\hat{i} - 1/1\hat{j} + (1/2 - 0/4\sqrt{3})\hat{k})$

۶۱- مقدار گشتاور برآیند حاصل از زوج نیروهای نشان داده شده بر حسب نیوتن متر (N.m) کدام است؟



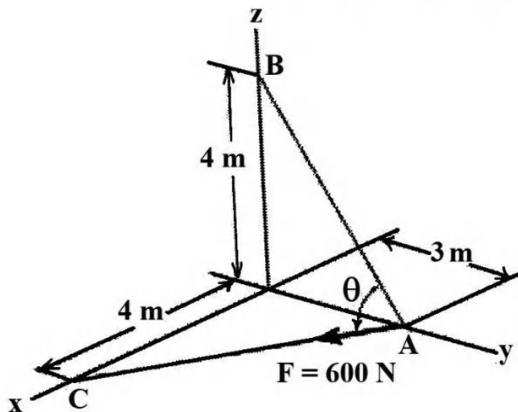
(۱) ۶۶۰

(۲) ۷۴۰

(۳) ۲۲۶۰

(۴) ۲۳۴۰

۶۲- بردار گشتاور نیروی ۶۰۰ نیوتنی حول نقطه B بر حسب نیوتن متر (N.m) کدام است؟



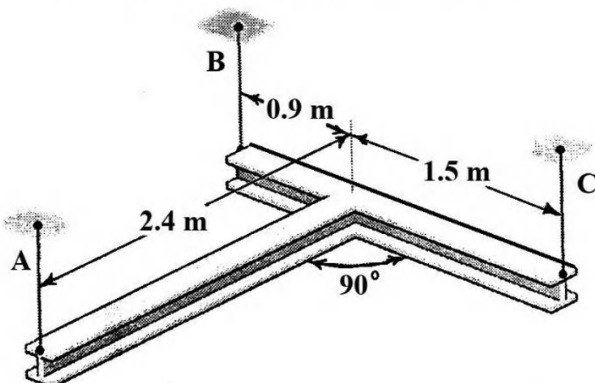
(۱) $\vec{M}_B = 480(\hat{i} - 3\hat{j} + 3\hat{k})$

(۲) $\vec{M}_B = 480(-3\hat{i} + 4\hat{j} - 3\hat{k})$

(۳) $\vec{M}_B = 480(\hat{i} + 3\hat{j} - 3\hat{k})$

(۴) $\vec{M}_B = 480(-3\hat{i} - 4\hat{j} - 3\hat{k})$

۶۳- نیروی کششی در کابل‌های A، B و C که دو تیر فولادی هر کدام به وزن ۱۰۰۰ نیوتن (N) را در حال تعادل نگه داشته است، به ترتیب بر حسب نیوتن (N) کدام است؟



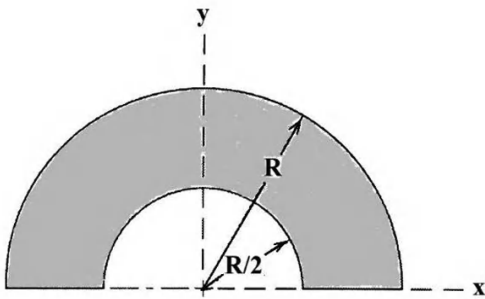
(۱) 500 ، $\frac{1375}{2}$ و $\frac{1625}{2}$

(۲) 500 ، $\frac{1375}{2}$ و $\frac{1625}{2}$

(۳) 500 ، $\frac{1375}{2}$ و $\frac{1625}{2}$

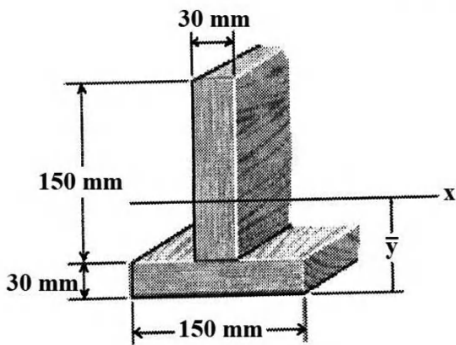
(۴) $\frac{1375}{2}$ و 500 ، $\frac{1625}{2}$

۶۴- فاصله مرکز سطح زیر تا محور x کدام است؟



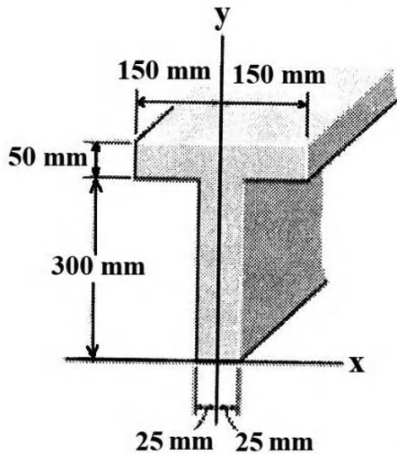
- (۱) $\frac{3R}{7\pi}$
- (۲) $\frac{9R}{7\pi}$
- (۳) $\frac{14R}{3\pi}$
- (۴) $\frac{14R}{9\pi}$

۶۵- مقدار \bar{y} در شکل زیر بر حسب میلی‌متر (mm) کدام است؟ (محور x از مرکز سطح مقطع می‌گذرد.)



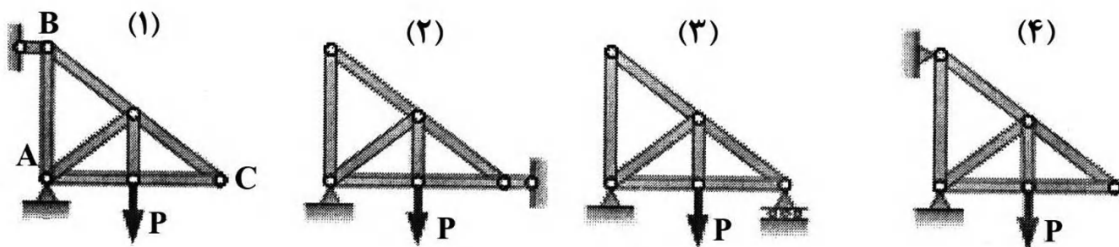
- (۱) ۴۵
- (۲) ۶۰
- (۳) ۷۵
- (۴) ۹۰

۶۶- گشتاور دوم (ممان اینرسی) سطح مقطع زیر حول محور y، I_{yy} بر حسب mm^4 کدام است؟



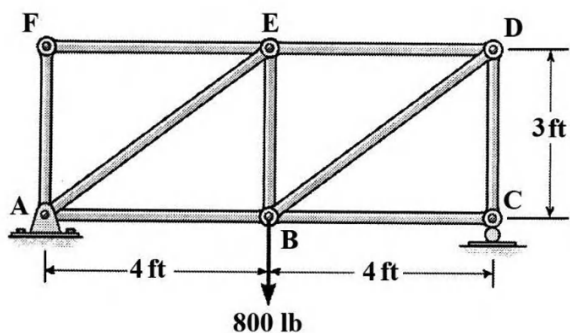
- (۱) $\frac{37}{32} \times 10^8$
- (۲) $\frac{37}{8} \times 10^8$
- (۳) $\frac{37}{16} \times 10^8$
- (۴) $\frac{37}{4} \times 10^8$

۶۷- کدام مسئله خرابی زیر یک درجه نامعین استاتیکی است؟



- (۱) (۱)
- (۲) (۲)
- (۳) (۳)
- (۴) (۴)

۶۸- اعضای صفر نیرویی در خرابای شکل زیر کدامند؟



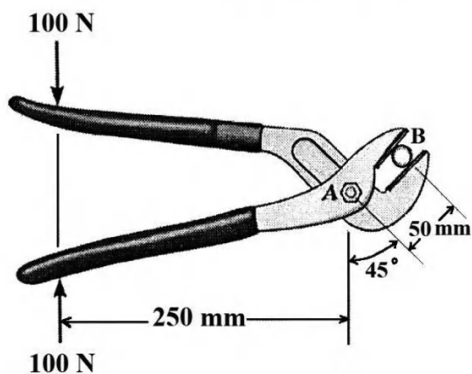
(۱) EF و AB ، BC

(۲) EB و ED ، FE

(۳) BC و FE ، AF

(۴) EB و CD ، AF

۶۹- مقدار نیروی وارد بر لوله B، چند نیوتن است؟ (لبه‌های ابزار که لوله B را گرفته‌اند موازی هم فرض شوند).



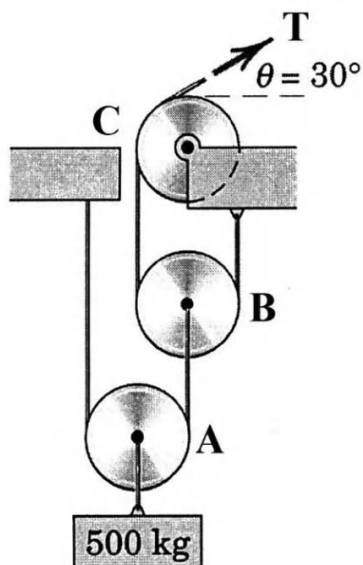
(۱) ۲۵۰

(۲) ۵۰۰

(۳) $۲۵۰\sqrt{۲}$

(۴) $۵۰۰\sqrt{۲}$

۷۰- نیروی برآیند در تکیه‌گاه قرقره C بر حسب نیوتن (N) کدام است؟ (فرض کنید $g = ۱۰ \frac{m}{s^۲}$)



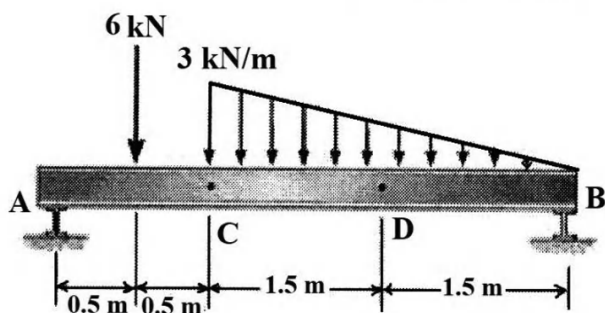
(۱) ۳۱۲٫۵

(۲) ۲۵۰۰

(۳) ۱۲۵۰

(۴) ۶۲۵

۷۱- مقدار لنگر خمشی در نقطه C تیر زیر، بر حسب کیلونیوتن متر (kN.m) کدام است؟



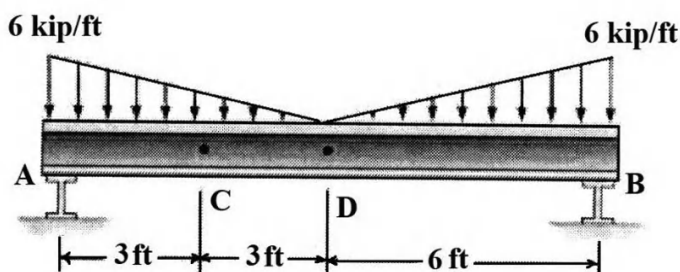
(۱) ۳

(۲) ۳٫۶

(۳) ۴٫۲

(۴) ۴٫۵

۷۲- مقدار نیروی برشی در نقطه C در تیر زیر، چند kip است؟



(۱) $1/8$

(۲) $2/4$

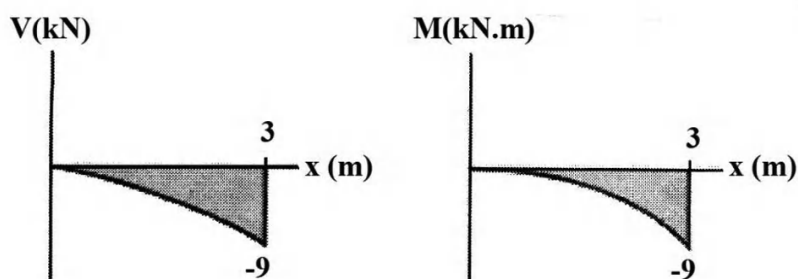
(۳) $3/2$

(۴) $4/5$

۷۳- اگر تیری به طول ۳ متر که در فاصله $0 \leq x \leq 3 \text{ m}$ دارای معادله نیروی برشی بر حسب کیلونیوتن

$V = -x^2 \text{ (kN)}$ و معادله لنگر خمشی بر حسب کیلونیوتن متر $M = -\frac{x^3}{3} \text{ (kN.m)}$ ، طبق نمودارهای زیر باشد،

کدام مورد در خصوص آن درست است؟



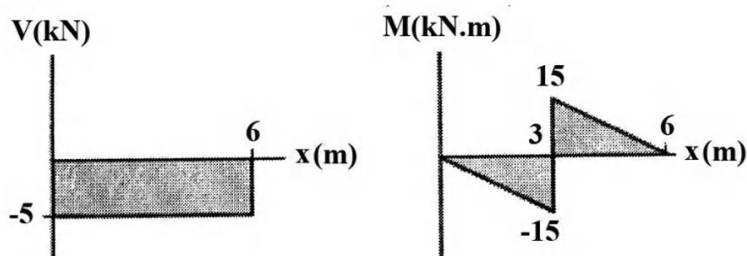
(۱) تیر کنسولی، یک سر آزاد در $x = 0 \text{ m}$ و گیردار در $x = 3 \text{ m}$ و شدت بار مثلی $6 \frac{\text{kN}}{\text{m}}$ در $x = 3 \text{ m}$ است.

(۲) تیر کنسولی، یک سر آزاد در $x = 3 \text{ m}$ و گیردار در $x = 0 \text{ m}$ و شدت بار مثلی $6 \frac{\text{kN}}{\text{m}}$ در $x = 0 \text{ m}$ است.

(۳) تیر ساده، یک سر مفصل در $x = 0 \text{ m}$ و غلتکی در $x = 3 \text{ m}$ و شدت بار مستطیلی $3 \frac{\text{kN}}{\text{m}}$ است.

(۴) تیر ساده، یک سر مفصل در $x = 3 \text{ m}$ و غلتکی در $x = 0 \text{ m}$ و شدت بار مستطیلی $3 \frac{\text{kN}}{\text{m}}$ است.

۷۴- دیاگرام‌های نیروی برشی و لنگر خمشی تیری به طول ۶ متر داده شده، کدام مورد در خصوص آن درست است؟



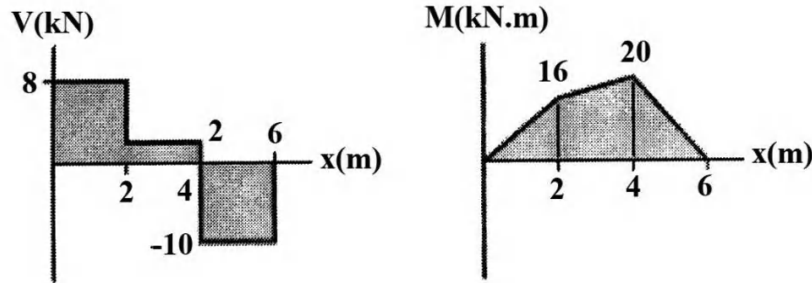
(۱) تیر ساده است با نیروی متمرکز به مقدار ۵ کیلونیوتن در وسط

(۲) تیر ساده است با لنگر متمرکز به مقدار ۳ کیلونیوتن متر در وسط

(۳) تیر کنسولی است با نیروی متمرکز به مقدار ۵ کیلونیوتن در وسط

(۴) تیر کنسولی است با لنگر متمرکز به مقدار ۳ کیلونیوتن متر در وسط

۷۵- دیاگرام‌های نیروی برشی و لنگر خمشی تیری به طول ۶ متر داده شده، کدام مورد در خصوص آن درست است؟



- (۱) تیر ساده است و در $x = 2m$ تحت بار متمرکز $6kN$ و در $x = 4m$ تحت بار متمرکز $12kN$ قرار دارد.
 (۲) تیر ساده است و در $x = 2m$ تحت بار متمرکز $16kN$ و در $x = 4m$ تحت بار متمرکز $20kN$ قرار دارد.
 (۳) تیر کنسولی است و در $x = 2m$ تحت بار متمرکز $16kN$ و در $x = 4m$ تحت بار متمرکز $20kN$ قرار دارد.
 (۴) تیر کنسولی است و در $x = 2m$ تحت بار متمرکز $6kN$ و در $x = 4m$ تحت بار متمرکز $12kN$ قرار دارد.

مهندسی آب و فاضلاب:

۷۶- کدام مورد عوامل مؤثر بر ظرفیت طراحی تصفیه‌خانه آب است؟

- (۱) جمعیت، نوع فرایند تصفیه و میزان تلفات
 (۲) جمعیت، ضریب پیک روزانه و ضریب پیک ساعتی
 (۳) شرایط آب‌وهوایی، سرانه مصرف آب و جمعیت
 (۴) طول خط انتقال، ضریب پیک ساعتی و محل احداث تصفیه‌خانه
- ۷۷- در سخت‌گیری جزئی آب به روش ترسیب، حذف کدام بخش، از سختی انجام می‌شود؟

- (۱) غیرکربناته
 (۲) کلسیم و منیزیم
 (۳) کربناته منیزیم
 (۴) کربناته کلسیم

۷۸- در کدام فرایند لجن فعال، حوضچه ته‌نشینی اولیه به کار گرفته می‌شود؟

- (۱) SBR
 (۲) اختلاط کامل
 (۳) هوادهی گسترده
 (۴) نهر اکسیداسیون

۷۹- در یک ستون جذب با کرین فعال، EBCT با کدام عامل رابطه مستقیم دارد؟

- (۱) حجم ستون
 (۲) سرعت جذب
 (۳) تخلخل بستر
 (۴) میزان جریان

۸۰- در کانال سیلاب‌رو با حوزه آبریز 10 هکتار، ضریب رواناب 0.5 ، شدت بارندگی $200 \frac{mm}{h}$ و جمعیت تحت پوشش

1000 نفر، دبی طراحی سیلاب‌رو چند $\frac{m^3}{s}$ است؟

- (۱) 0.28
 (۲) 2.8
 (۳) 28
 (۴) 280

۸۱- در یک فرایند لجن فعال با دبی $\frac{m^3}{d}$ ۱۰۰۰۰ و زمان ماند هیدرولیکی ۶ ساعت، غلظت BOD و MLVSS به ترتیب

۲۵۰ و ۲۰۰۰ میلی گرم در لیتر است. نسبت غذا به میکروارگانیسم بر حسب روز چقدر است؟

(۱) ۰/۲

(۲) ۰/۳

(۳) ۰/۴

(۴) ۰/۵

۸۲- جایگزینی مواد اولیه سمی با مواد غیر سمی، جزو کدام راهکار مدیریت فاضلاب صنعتی است؟

(۱) مدیریت مواد و بهبود روش‌های بهره‌برداری

(۲) بازیابی و استفاده مجدد

(۳) تغییر فرایند تولید

(۴) اصلاح تجهیزات

۸۳- میانگین میزان جریان در یک تصفیه‌خانه فاضلاب $\frac{m^3}{d}$ ۵۰۰۰۰، ضریب پیک ۱/۵، نسبت برگشت لجن ۵۰ درصد

و بار سطحی حوضچه ته‌نشینی ثانویه $\frac{m^3}{m^2.d}$ ۱۰ است. با در نظر گرفتن عمق ۴ m، حجم حوضچه‌های ته‌نشینی

ثانویه چند m^3 است؟

(۱) ۴۰۰۰۰

(۲) ۳۰۰۰۰

(۳) ۲۰۰۰۰

(۴) ۱۰۰۰۰

۸۴- مزیت واحد پولساتور نسبت به حوضچه ته‌نشینی ساده در جداسازی مواد معلق کدام است؟

(۱) بهبود لخته‌سازی

(۲) افزایش بار سطحی

(۳) کاهش عمق ته‌نشینی

(۴) کاهش سرعت ته‌نشینی

۸۵- در یک نمونه آب، pH واقعی ۷/۹ و pH اشباع ۷/۰ است. شاخص راینر چقدر و وضعیت پایداری آب چگونه

است؟

(۱) ۶/۱، شدیداً رسوب‌گذار

(۲) ۶/۱، رسوب‌گذار

(۳) ۰/۹، رسوب‌گذار

(۴) ۰/۹، خورنده

۸۶- در یک فرایند اسمز معکوس، غلظت TDS در آب ورودی، آب تصفیه‌شده و شوراب به ترتیب $\frac{mg}{L}$ ۵۰۰، $\frac{mg}{L}$ ۵۰۰ و

$\frac{mg}{L}$ ۱۵,۰۰۰ است. نسبت دبی شوراب به دبی آب ورودی چقدر است؟

(۱) ۲۱

(۲) ۲۴

(۳) ۳۱

(۴) ۳۴

۸۷- در شهری با جمعیت ۱۵۰ هزار نفر، دبی فاضلاب $\frac{m^3}{d}$ ۳۰۰۰۰ و غلظت BOD به میزان $\frac{mg}{L}$ ۲۰۰، بار BOD فاضلاب

تولیدی چند $\frac{kg}{d}$ است؟

(۱) ۳۰۰۰

(۲) ۶۰۰۰

(۳) ۱۵۰۰۰

(۴) ۳۰۰۰۰

۸۸- کدام مورد، واحدهای تصفیه متداول آب‌های سطحی را ارائه می‌دهد؟

(۱) گندزدایی، اکسیداسیون، ته‌نشینی، هوادهی

(۲) هوادهی، انعقاد، جذب سطحی، گندزدایی

(۳) گندزدایی، انعقاد، لخته‌سازی، ته‌نشینی، جذب سطحی

(۴) انعقاد، لخته‌سازی، ته‌نشینی، فیلتراسیون، گندزدایی

۸۹- کدام روش‌های تصفیه، کارایی بالایی در حذف آفت‌کش‌ها از آب دارند؟

(۱) جذب سطحی و اسمز معکوس (۲) تبادل یون و فیلتراسیون عمقی

(۳) میکروفیلتراسیون و اولترافیلتراسیون (۴) ترسیب شیمیایی و اکسیداسیون

۹۰- کدام ترکیبات، از فرآورده‌های جانبی گندزدایی هستند؟

(۱) کلرآمین‌ها و هالواستیک‌اسیدها (۲) تری‌هالومتان‌ها و کلرآمین‌ها

(۳) برومات و کلرید سیانوژن (۴) برمید و برومات

۹۱- شاخص اصلی استاندارد کیفیت رادیولوژیکی آب آشامیدنی کدام است؟

(۱) غلظت جرمی رادیوم ۲۲۶ و رادون ۲۲۲ (۲) فعالیت کلی رادیوم ۲۲۶ و رادون ۲۲۲

(۳) فعالیت کلی پرتوهای آلفا، بتا و گاما (۴) فعالیت کلی پرتوهای آلفا و بتا

۹۲- پیامدهای سلامتی آلاینده‌های شیمیایی آب، در کدام دسته از بیماری‌های مرتبط با آب قرار می‌گیرد؟

(۱) Water borne diseases (۲) Water based diseases

(۳) Water washed diseases (۴) Water-related insect vector diseases

۹۳- در محاسبه افت هد در لوله‌ها، با دو برابر شدن سرعت جریان و نصف شدن طول لوله، چه تغییری در میزان h_L یا همان افت فشار رخ می‌دهد؟

(۱) نصف می‌شود. (۲) دو برابر می‌شود.

(۳) هشت برابر می‌شود. (۴) بدون تغییر باقی می‌ماند.

۹۴- اگر سرعت جریان پرآب در یک لوله ۲۴ اینچی برابر با ۶ فوت بر ثانیه باشد، دبی عبوری آب چند فوت مکعب بر ثانیه است؟

(۱) $\frac{1}{8}$

(۲) $\frac{4}{7}$

(۳) $\frac{18}{8}$

(۴) ۴۷

۹۵- در کدام نوع از برکه تثبیت، حذف نیتروژن بازدهی بالاتری دارد؟

(۱) اختیاری اولیه (۲) اختیاری ثانویه (۳) بی‌هوای (۴) تکمیلی

مهندسی محیط زیست:

- ۹۶- در کدام وضعیت حاصلخیزی دریاچه‌های آب شیرین، کیفیت آب بهتر است؟
 (۱) مزوتروفیک
 (۲) اوتروفیک
 (۳) یوتروفیک
 (۴) الیگوتروفیک
- ۹۷- در مدیریت پسماند خطرناک، برای پسماندهای سمی براساس آزمایش TCLP، از چه کد خطری استفاده می‌شود؟
 (۱) C
 (۲) E
 (۳) H
 (۴) T
- ۹۸- در محل دفع پسماند خطرناک، کنترل کدام مورد اهمیت بیشتری دارد؟
 (۱) شیرابه
 (۲) آلودگی هوا
 (۳) آلودگی صوتی
 (۴) حشرات و جوندگان
- ۹۹- محدوده زمان ماند مواد زائد در محفظه احتراق زباله‌سوز تزریق مایع چقدر است؟
 (۱) ۲-۵ دقیقه
 (۲) ۲۰-۱۰ دقیقه
 (۳) ۲-۵ ثانیه
 (۴) ۲۰-۱۰ ثانیه
- ۱۰۰- در یک ایستگاه سنجش کیفیت هوا، شاخص کیفیت هوا برای ذرات معلق 140 ، دی‌اکسید گوگرد 120 و منوکسید کربن 70 است، شاخص کل کیفیت هوا چقدر و وضعیت کیفیت هوا چگونه است؟
 (۱) 140 ، ناسالم برای گروه‌های حساس
 (۲) 120 ، ناسالم برای گروه‌های حساس
 (۳) 120 ، ناسالم
 (۴) 110 ، ناسالم برای گروه‌های حساس
- ۱۰۱- کدام مورد، به ترتیب واحدهای کمیت پرتوزایی و مواجهه با پرتوهای یونساز می‌باشد؟
 (۱) رم - راد
 (۲) گری - بکرل
 (۳) بکرل - سیورت
 (۴) سیورت - کوری
- ۱۰۲- ترتیب گازهای گلخانه‌ای براساس GWP به کدام صورت است؟
 (۱) $CFC-11 > CH_4 > N_2O > CO_2$
 (۲) $CFC-11 > N_2O > CH_4 > CO_2$
 (۳) $CO_2 > CH_4 > N_2O > CFC-11$
 (۴) $CO_2 > N_2O > CFC-11 > CH_4$
- ۱۰۳- کدام نوع وارونگی، در آلودگی کوتاه‌مدت هوا نقش دارد؟
 (۱) جبهه‌ای
 (۲) تشعشی
 (۳) فروکشی
 (۴) دره‌ای
- ۱۰۴- یک لیتر تری کلرو اتیلن با چگالی $1/46$ گرم بر میلی‌لیتر به درون 3 مترمکعب خاک با چگالی $2000 \frac{kg}{m^3}$ نشست کرده است. متوسط غلظت TCE در خاک بر حسب ppm چقدر است؟
 (۱) $87/6$
 (۲) $243/3$
 (۳) 87600
 (۴) 243300

۱۰۵- اگر دبی گاز خروجی فرایندی به درون غبارگیر کیسه‌ای برابر با $4/4$ مترمکعب بر ثانیه و سرعت فیلتراسیون 4 سانتی‌متر بر ثانیه باشد، با فرض قطر $5/2$ و ارتفاع $3/5$ متری برای هر کیسه، تعداد کل کیسه‌های موردنیاز در بگ‌هاوس چقدر است؟

(۱) ۱۶۸

(۲) ۶۸

(۳) ۴۸

(۴) ۱۸

۱۰۶- ستون‌ها و سطرهاى ماتریس لئوپولد، به ترتیب مربوط به کدام موارد است؟

(۱) اندازه اثر - اهمیت آن اثر

(۲) گزینه‌های اجرایی پروژه - اثرات مرتبط با آن

(۳) انواع اقدامات پروژه و مراحل ساخت - بهره‌برداری پروژه

(۴) وضعیت محیط‌زیستی - انواع اقدامات پروژه

۱۰۷- در محل دفن بهداشتی، کدام مورد در رابطه با مرحله گذار تجزیه مواد آلی درست است؟

(۱) میکروارگانیزم‌های بی‌هوازی مسئول تجزیه هستند.

(۲) میکروارگانیزم‌های هوازی مسئول تجزیه هستند.

(۳) اکسیژن پذیرنده نهایی الکترون است.

(۴) pH شیرابه شروع به افزایش می‌کند.

۱۰۸- در کدام آزمون، تعیین خصوصیات پسماند، درصد کربن، هیدروژن، اکسیژن، نیتروژن، گوگرد و خاکستر تعیین می‌شوند؟

(۱) تعیین ارزش حرارتی

(۲) آنالیز تقریبی

(۳) آنالیز فیزیکی

(۴) آنالیز نهایی

۱۰۹- نسبت کربن به نیتروژن ($\frac{C}{N}$) در فرایند کمپوست، در ابتدا در کدام محدوده قرار دارد و در طول فرایند چگونه تغییر می‌کند؟

(۱) $20-10$ ، ثابت است.(۲) $20-10$ ، کاهش می‌یابد.(۳) $50-25$ ، کاهش می‌یابد.(۴) $50-25$ ، افزایش می‌یابد.

۱۱۰- بیشترین حجم گاز تولیدی در سال اول پس از تعطیلی مکان دفن، کدام است؟

(۱) دی‌اکسید کربن

(۲) سولفید هیدروژن

(۳) هیدروژن

(۴) متان

۱۱۱- کدام روش قادر به بی‌خطر سازی طیف وسیع تری از پسماند خطرناک پزشکی است؟

(۱) مایکروویو

(۲) هیدروکلاو

(۳) زباله‌سوزی

(۴) اتوکلاو

۱۱۲- غلظت دی‌کسید کربن در هوای یک واحد تولیدی، 390 ppm است، این غلظت برحسب mg/m^3 چقدر است؟

(۱) ۸۰۰

(۲) ۷۰۰

(۳) ۶۰۰

(۴) ۵۰۰

۱۱۳- ترکیب کدام مورد با ازن، از دلایل اصلی تأثیر CFCs در کاهش لایه ازن تلقی می‌شود؟

(۱) کلر آزاد شده

(۲) پایه آلی آزاد شده

(۳) CFCs

(۴) کربن

- ۱۱۴ - کدام یون در محاسبه قلیائیت کل یک نمونه آب، نقش قابل اغماض دارد؟
- | | |
|---------------|---------------|
| (۱) بی کربنات | (۲) هیدروکسیل |
| (۳) کربنات | (۴) فسفات |
- ۱۱۵ - مکانیسم رفتار کدام افزودنی در فرایند جامدسازی پسماند با سایر موارد متفاوت است؟
- | | |
|-----------|-------------|
| (۱) آهک | (۲) سیمان |
| (۳) سیلیس | (۴) پوزولان |

